

# Powerwall 3

## Power Everything

—  
Powerwall 3 is a fully integrated solar and battery system, designed to accelerate the transition to sustainable energy. Customers can receive whole home backup, cost savings, and energy independence by producing and consuming their own energy while participating in grid services. Once installed, customers can manage their system using the Tesla App to customize system behavior to meet their energy goals.

Powerwall 3 achieves this by supporting up to 20 kW DC of solar and providing 11.5 kW AC of continuous power per unit. It has the ability to start heavy loads up to 185 A LRA, meaning a single unit can support the power needs of most homes. Powerwall 3 is designed for mass production, fast and efficient installations, easy system expansion, and simple connection to any electrical service.



# Powerwall 3 Technical Specifications

## System Technical Specifications

Model Number	1707000-xx-y
Nominal Grid Voltage (Input & Output)	120/240 VAC
Grid Type	Split phase
Frequency	60 Hz
Overcurrent Protection Device	Configurable up to 60 A
Solar to Battery to Home/Grid Efficiency	89% <sup>1,2</sup>
Solar to Home/Grid Efficiency	97.5% <sup>3</sup>
Supported Islanding Devices	Backup Gateway 2, Backup Switch
Connectivity	Wi-Fi (2.4 and 5 GHz), Dual-port switched Ethernet, Cellular (LTE/4G <sup>4</sup> )
Hardware Interface	Dry contact relay, Rapid Shutdown (RSD) certified switch and 2-pin connector, RS-485 for meters
AC Metering	Revenue Grade (+/- 0.5%)
Protections	Integrated arc fault circuit interrupter (AFCI), Isolation Monitor Interrupter (IMI), PV Rapid Shutdown (RSD) using Tesla Mid-Circuit Interrupters
Customer Interface	Tesla Mobile App
Warranty	10 years

## Solar Technical Specifications

Maximum Solar STC Input	20 kW
Withstand Voltage	600 V DC
PV DC Input Voltage Range	60 — 550 V DC
PV DC MPPT Voltage Range	150 — 480 V DC
MPPTs	6
Maximum Current per MPPT ( $I_{MP}$ )	13 A <sup>5</sup>
Maximum Short Circuit Current per MPPT ( $I_{SC}$ )	15 A <sup>5</sup>

## Battery Technical Specifications

Nominal Battery Energy	13.5 kWh AC <sup>2</sup>
Maximum Continuous Discharge Power	11.5 kW AC
Maximum Continuous Charge Power	5 kW AC
Output Power Factor Rating	0 - 1 (Grid Code configurable)
Maximum Continuous Current	48 A
Maximum Output Fault Current	10 kA
Load Start Capability (1 s)	185 A LRA
Power Scalability	Up to 4 Powerwall 3 units supported

<sup>1</sup> Typical solar shifting use case.

<sup>2</sup> Values provided for 25°C (77°F), at beginning of life. 3.3 kW charge/discharge power.

<sup>3</sup> Tested using CEC weighted efficiency methodology.

<sup>4</sup> Cellular connectivity subject to network service coverage and signal strength.

<sup>5</sup> Where the DC input current exceeds the MPPT rating, a jumper can be used to combine two MPPTs into a single input to intake DC current up to 26 A  $I_{MP}$  / 30 A  $I_{SC}$ .

# Powerwall 3 Technical Specifications

## Environmental Specifications

Operating Temperature	-20°C to 50°C (-4°F to 122°F) <sup>6</sup>
Operating Humidity (RH)	Up to 100%, condensing
Storage Temperature	-20°C to 30°C (-4°F to 86°F), up to 95% RH, non-condensing, State of Energy (SOE): 25% initial
Maximum Elevation	3000 m (9843 ft)
Environment	Indoor and outdoor rated
Enclosure Rating	NEMA 3R
Ingress Rating	IPX7 (Battery & Power Electronics) IPX5 (Wiring Compartment)
Pollution Rating	PD3
Operating Noise @ 1 m	< 50 db(A) typical < 62 db(A) maximum

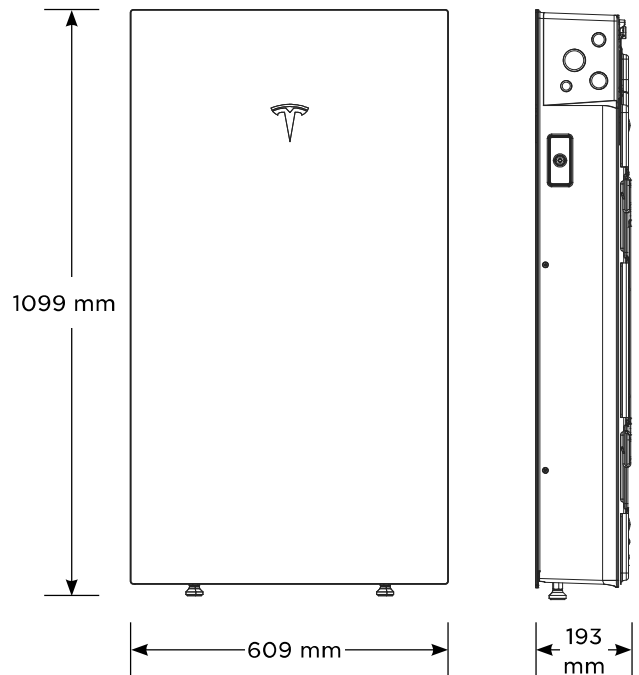
<sup>6</sup> Performance may be de-rated at operating temperatures above 40°C (104°F).

## Compliance Information

Certifications	UL 1642, UL 1699B, UL 1741, UL 1741 SA, UL 1741 SB, UL 3741, UL 1973, UL 1998, UL 9540, IEEE 1547-2018, IEEE 1547.1, UN 38.3
Grid Connection	United States
Emissions	FCC Part 15 Class B
Environmental	RoHS Directive 2011/65/EU
Seismic	AC156, IEEE 693-2005 (high)
Fire Testing	Meets the unit level performance criteria of UL 9540A

## Mechanical Specifications

Dimensions	1099 x 609 x 193 mm (43.25 x 24 x 7.6 in)
Weight	130 kg (287 lb)
Mounting Options	Floor or wall mount



# Solar Shutdown Device Technical Specifications

The Solar Shutdown Device is a Mid-Circuit Interrupter (MCI) and is part of the PV system rapid shutdown (RSD) function in accordance with Article 690 of the applicable NEC. When paired with Powerwall 3, solar array shutdown is initiated by any loss of AC power.

Electrical Specifications	Model	MCI-1	MCI-2
	Nominal Input DC Current Rating ( $I_{MP}$ )	12 A	13 A
	Maximum Input Short Circuit Current ( $I_{SC}$ )	19 A	17 A
	Maximum System Voltage (PVHCS)	600 V DC	1000 V DC <sup>7</sup>
	<sup>7</sup> Maximum System Voltage is limited by Powerwall to 600 V DC.		
RSD Module Performance	Maximum Number of Devices per String	5	5
	Control	Power Line Excitation	Power Line Excitation
	Passive State	Normally Open	Normally Open
	Maximum Power Consumption	7 W	7 W
	Warranty	25 years	25 years
Environmental Specifications	Operating Temperature	-40°C to 50°C (-40°F to 122°F)	-45°C to 70°C (-49°F to 158°F)
	Storage Temperature	-30°C to 70°C (-22°F to 158°F)	-30°C to 70°C (-22°F to 158°F)
	Enclosure Rating	NEMA 4X / IP65	NEMA 4X / IP65
Mechanical Specifications	Electrical Connections	MC4 Connector	MC4 Connector
	Housing	Plastic	Plastic
	Dimensions	125 x 150 x 22 mm (5 x 6 x 1 in)	173 x 45 x 22 mm (6.8 x 1.8 x 1 in)
	Weight	350 g (0.77 lb)	120 g (0.26 lb)
	Mounting Options	ZEP Home Run Clip M4 Screw (#10) M8 Bolt (5/16") Nail / Wood screw	Wire Clip
Compliance Information	Certifications	UL 1741 PVRSE, UL 3741, PVRSA (Photovoltaic Rapid Shutdown Array)	
	RSD Initiation Method	External System Shutdown Switch or Powerwall 3 Enable Switch	

## UL 3741 PV Hazard Control (and PVRSA) Compatibility

The following categories of solar module meet the UL 3741 PVHCS listing when installed with Powerwall 3 and Solar Shutdown Devices.

Tesla Solar Roof	<a href="#">PV Hazard Control System: BIPV compliance document</a>
Tesla or Hanwha (Q.Peak Duo BLK or BLK-G6+) Modules certified for use with ZEP racking	<a href="#">PV Hazard Control System: ZS PVHCS compliance document</a>
Other module and racking combinations	<a href="#">PV Hazard Control System: Generic PV Array compliance document</a>

# Backup Switch

The Tesla Backup Switch controls connection to the grid in a Powerwall system, and can be easily installed behind the utility meter or in a standalone meter panel downstream of the utility meter.

The Backup Switch automatically detects grid outages, providing a seamless transition to backup power. It communicates directly with Powerwall, allowing home energy usage monitoring from any mobile device with the Tesla app.

## Performance Specifications

<b>Model Number</b>	1624171-xx-y
<b>Continuous Load Rating</b>	200 A, 120/240 V split phase
<b>Maximum Supply Short Circuit Current</b>	22 kA with breaker <sup>10</sup>
<b>Communication</b>	CAN
<b>AC Meter</b>	Revenue accurate (+/- 0.5%)
<b>Expected Service Life</b>	21 years
<b>Warranty</b>	10 years

<sup>8</sup> Breaker maximum supply short circuit current rating must be equal to or greater than the available fault current.

## Environmental Specifications

<b>Operating Temperature</b>	-40°C to 50°C (-40°F to 122°F)
<b>Storage Temperature</b>	-40°C to 85°C (-40°F to 185°F)
<b>Enclosure Rating</b>	NEMA 3R
<b>Pollution Rating</b>	PD3

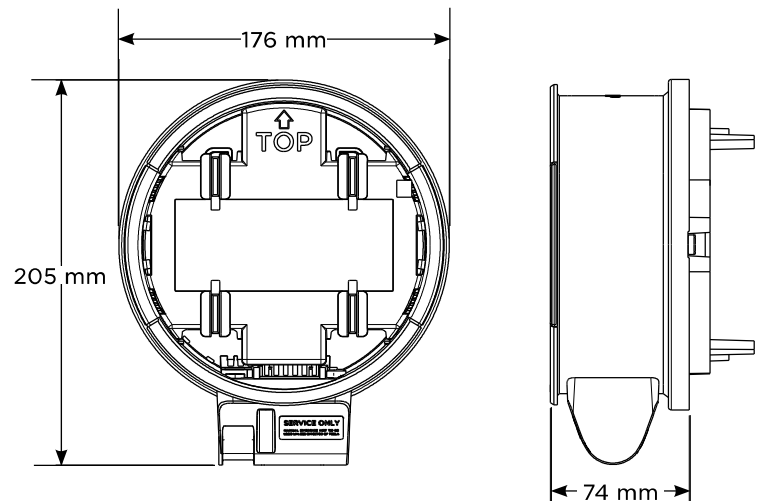
## Compliance Information

<b>Safety Standards</b>	USA: UL 414, UL 2735, UL 916, CA Prop 65
<b>Emissions</b>	FCC, ICES

## Mechanical Specifications

<b>Dimensions</b>	176 x 205 x 74 mm (6.9 x 8.1 x 2.9 in)
<b>Weight</b>	2.8 lb
<b>Meter and Socket Compatibility</b>	ANSI Type 2S, ringless or ring type
<b>External Service Interface</b>	Contactor manual override <sup>11</sup> Reset button
<b>Conduit Compatibility</b>	1/2-inch NPT

<sup>9</sup> Manually overrides the contactor position during a service event.



# Backup Gateway 2

Backup Gateway 2 controls connection to the grid when paired with Powerwall 3, automatically detecting outages and providing seamless transition to backup power. Backup Gateway 2 also provides energy metering for solar self-consumption, time-based control, and backup operation.

In this system configuration, Powerwall 3 acts as the Site Controller, with the Backup Gateway 2 Site Controller disabled.

## Performance Specifications

<b>Model Number</b>	1232100-xx-y
<b>AC Voltage (Nominal)</b>	120/240 V
<b>Feed-in Type</b>	Split phase
<b>Grid Frequency</b>	60 Hz
<b>Current Rating</b>	200 A
<b>Maximum Supply Short Circuit Current</b>	10 kA <sup>8</sup>
<b>Overcurrent Protection Device</b>	100 - 200 A, Service entrance rated <sup>9</sup>
<b>Overvoltage Category</b>	Category IV
<b>Internal Primary AC Meter</b>	Revenue accurate (+/- 0.2%)
<b>Internal Auxiliary AC Meter</b>	Revenue accurate (+/- 2%)
<b>Primary Connectivity</b>	Ethernet, Wi-Fi
<b>Secondary Connectivity</b>	Cellular (3G, LTE/4G) <sup>10</sup>

<b>User Interface</b>	Tesla App
<b>Operating Modes</b>	Support for solar self-consumption, time-based control, and backup
<b>Backup Transition</b>	Automatic disconnect for seamless backup
<b>Modularity</b>	Supports up to 10 AC-coupled Powerwalls
<b>Optional Internal Panelboard</b>	200 A 6-space / 12 circuit breakers Siemens QP or Square D HOM breakers rated 10 - 80A or Eaton BR breakers rated 10 - 125A
<b>Warranty</b>	10 years

<sup>10</sup> When protected by Class J fuses, Backup Gateway 2 is suitable for use in circuits capable of delivering not more than 22kA symmetrical amperes.

<sup>11</sup> The customer is expected to provide internet connectivity for Backup Gateway 2; cellular should not be used as the primary mode of connectivity. Cellular connectivity subject to network operator service coverage and signal strength.

## Environmental Specifications

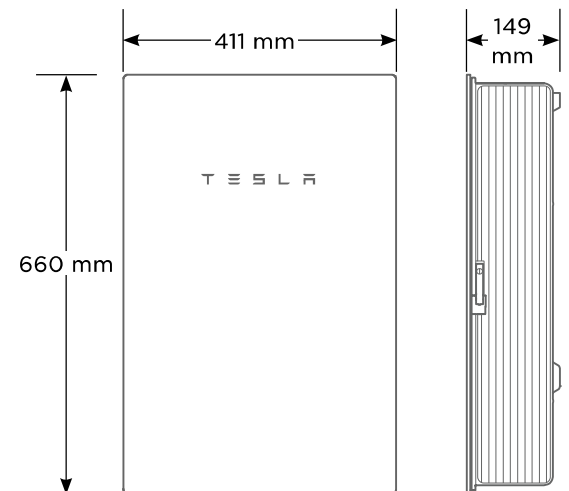
<b>Operating Temperature</b>	-20°C to 50°C (-4°F to 122°F)
<b>Operating Humidity (RH)</b>	Up to 100%, condensing
<b>Maximum Elevation</b>	3000 m (9843 ft)
<b>Environment</b>	Indoor and outdoor rated
<b>Enclosure Type</b>	NEMA 3R

## Compliance Information

<b>Certifications</b>	UL 67, UL 869A, UL 916, UL 1741 PCS, CSA 22.2 0.19, CSA 22.2 205
<b>Emissions</b>	FCC Part 15, ICES 003

## Mechanical Specifications

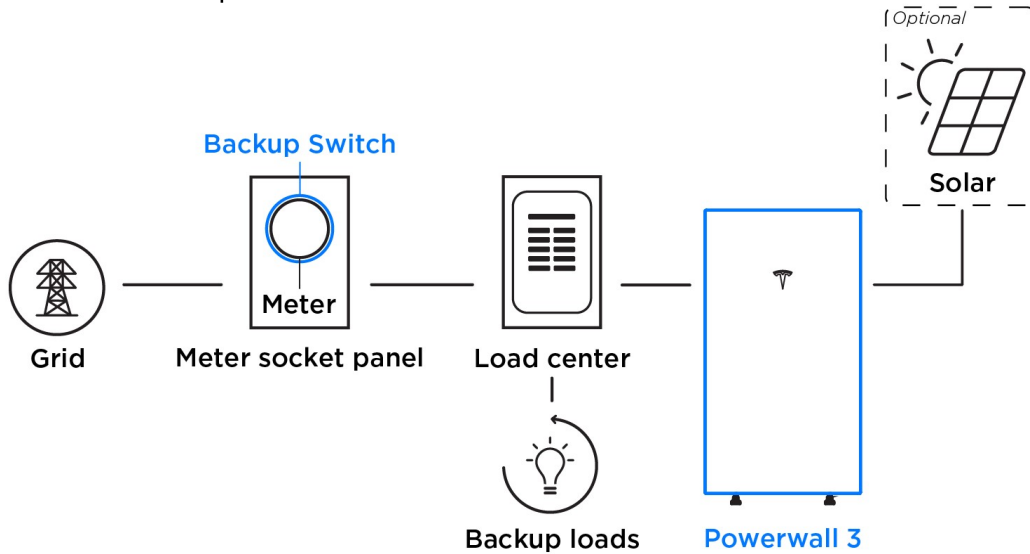
<b>Dimensions</b>	660 x 411 x 149 mm (26 x 16 x 6 in)
<b>Weight</b>	20.4 kg (45 lb)
<b>Mounting options</b>	Wall mount, Semi-flush mount



# Powerwall 3 Example System Configurations

## Powerwall 3 with Backup Switch

Whole Home Backup



## Powerwall 3 with Backup Gateway 2

Partial Home Backup

